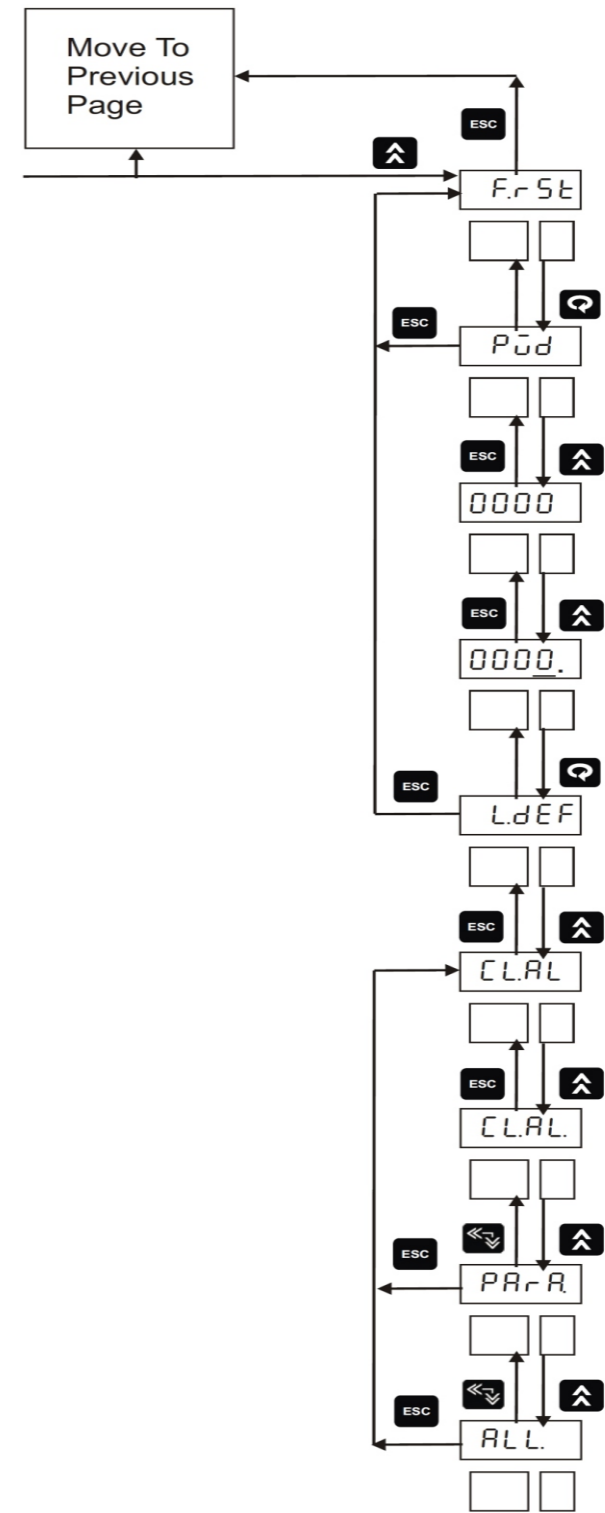


**Calibration**



Procedure for changing/setting different values to different channels in all levels is shown in the level 1 Hysteresis setting."See Hys setting"

**Factory Reset**

For operation manual please visit [www.masibus.com](http://www.masibus.com)  
 Specifications are subject to change without notice due to continuous improvements.  
**Masibus Automation And Instrumentation Pvt. Ltd.**  
 B-30, GIDC Electronics Estate, Sector-25, Gandhinagar-382044, Gujarat, India.  
 Tel:+91 79 23287275-79 Fax: +91 79 23287281  
 Web:www.masibus.com Email:support@masibus.com