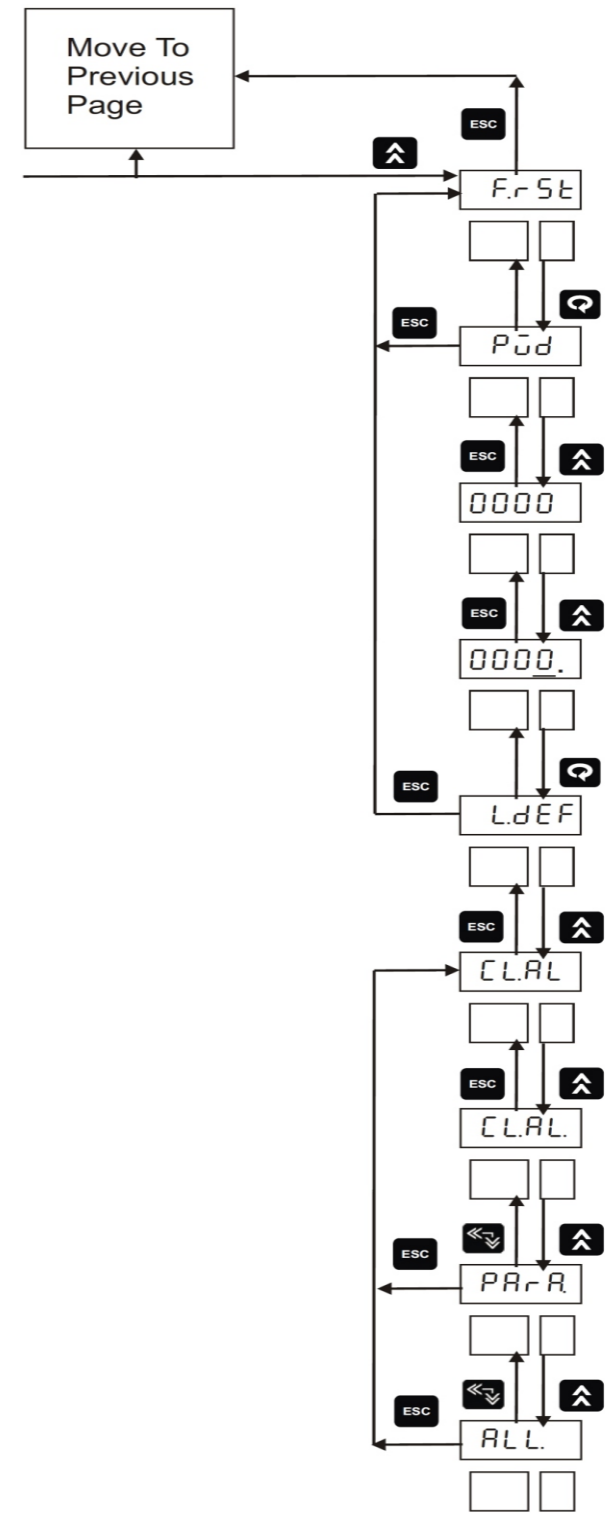


Calibration



Procedure for changing/setting different values to different channels in all levels is shown in the level 1 Hysteresis setting."See Hys setting"

Factory Reset

For operation manual please visit www.masibus.com
 Specifications are subject to change without notice due to continuous improvements.
Masibus Automation And Instrumentation Pvt. Ltd.
 B-30, GIDC Electronics Estate, Sector-25, Gandhinagar-382044, Gujarat, India.
 Tel:+91 79 23287275-79 Fax: +91 79 23287281
 Web:www.masibus.com Email:support@masibus.com